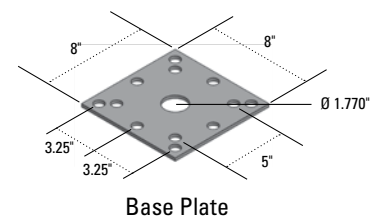
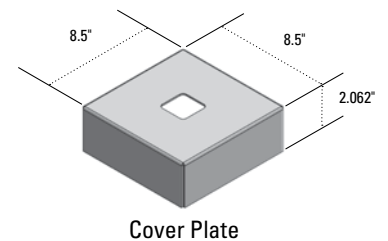
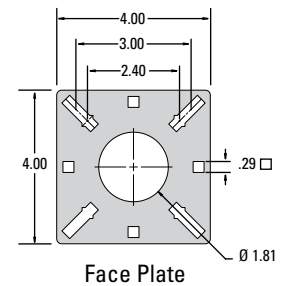
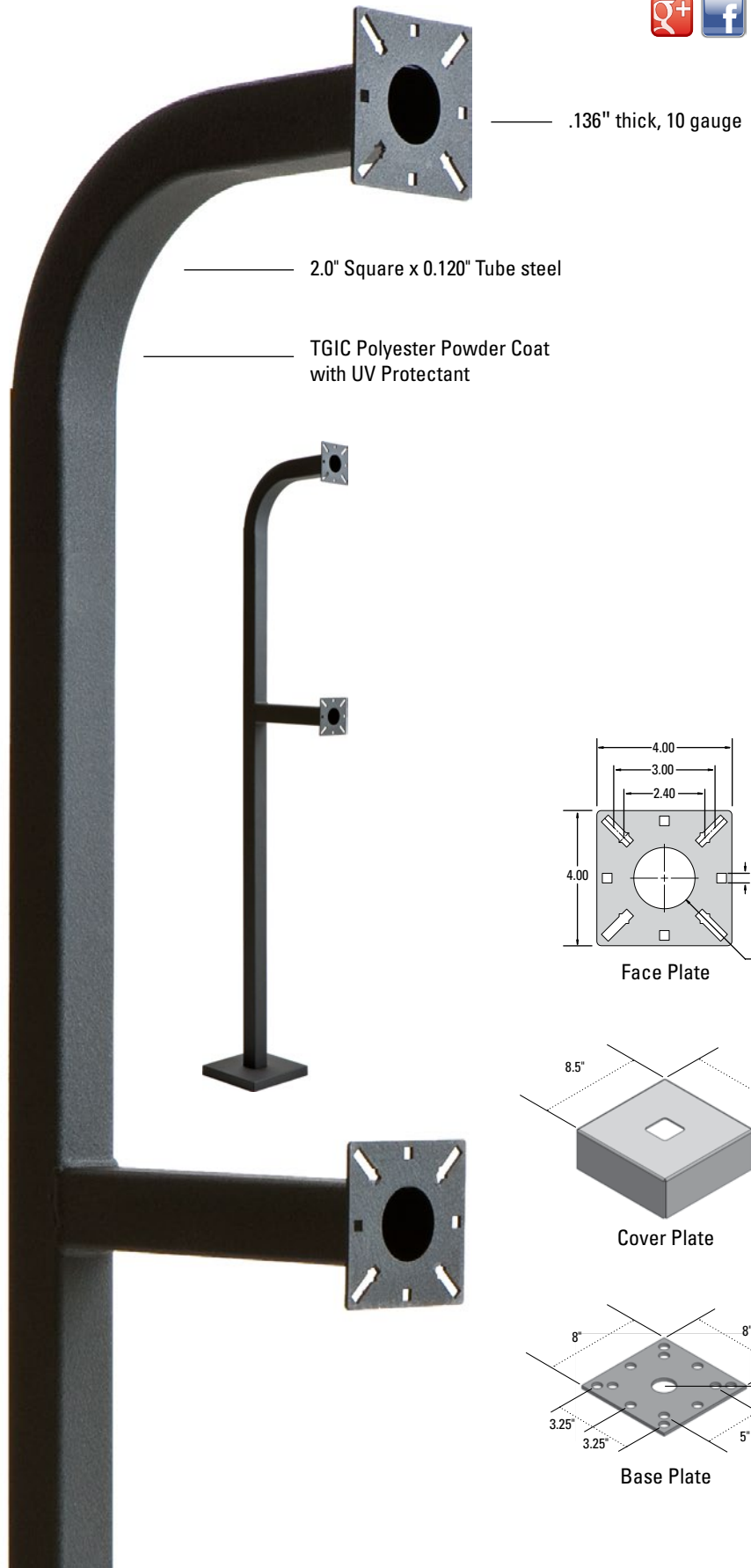
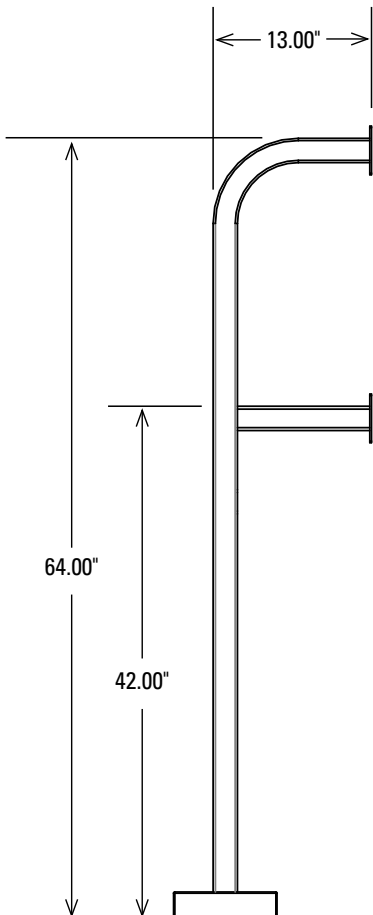


## DATA SHEET



A dual height pedestal with one extension at 64" and the other at 42". Both extensions originate from a single vertical post making wiring easy. This pedestal can accommodate ADA-compliant specifications as well as car, SUV, and truck/bus applications. Contains conduit access through its baseplate for electrical wiring. It is bent at 90 degrees for a clean, professional look. It is finished off using a UV protected polyester black wrinkle powdercoat.

- ▣ Generally in stock
- ▣ Custom heights and colors available—request a price quote



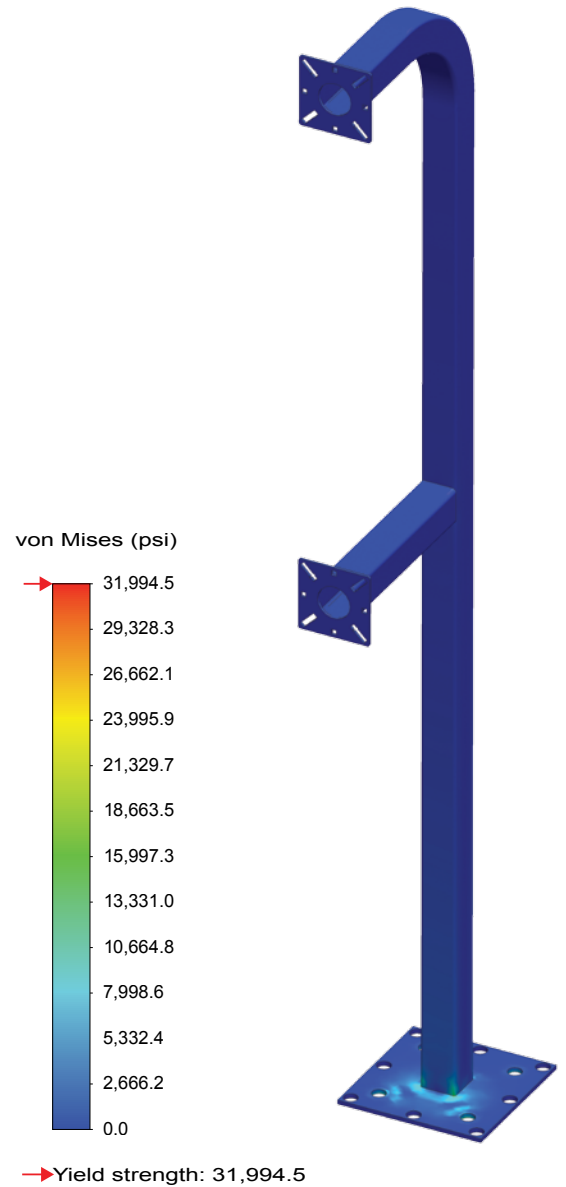
## Stress Tests

|                                    |   |
|------------------------------------|---|
| Wind Speed                         | 157 mph (Category 5 hurricane)                                  |
| Wind Force                         | 0.54 psi  |
| Maximum Deflection or Displacement | 0.207" at top edge  |
| Maximum Stress                     | 13,634.10 psi   |
| Yield Strength                     | 31,994.5 psi (strength at which the material bends permanently) |

Interpretation: A "Category 5" hurricane wind begins at 157mph sustained. At this speed, the pedestal will flex slightly, allowing it to move about 0.207" at most. However, the stress encountered is not high enough to cause permanent bending. In the real world, the concrete or mounting bolts and nuts would fail first, not to mention the electronics would blow off even sooner.

## Unique Features

|                      |  |
|----------------------|--|
| Height:              | 64" & 42"  |
| Finish:              | Black Wrinkle TGIC Polyester Powdercoat— with UV Protectant                |
| Faceplate:           | 4" x 4" Universal, .136" CRS (10 gauge)                                    |
| Baseplate:           | 8" x 8" Universal, .25" CRS  |
| Tube:                | 2" x 2" Square, .120" Wall (11 Gauge)                                      |
| Neck:                | 13", 90° Bend  |
| Material:            | Heavy Gauge Steel  |
| Box Size:            | 40 lbs - Box Size: 76 x 15 x 10  |
| Hardware:            | Included: Carriage Bolts & Nuts  |
| Color Options        | <input type="checkbox"/> <input type="checkbox"/> <input type="checkbox"/> |
| Cutomization Options | Custom heights and colors available  |



## About Us

Pedestal CEO is the largest and most experienced pedestal manufacturer in the U.S. With over 100,000 installations worldwide, our mounting solutions have been designed for, and tested in, virtually every weather climate around the world. We demand the highest quality materials and the best production processes to ensure product strength, longevity, and ultimate customer satisfaction. Visit our website today for a comprehensive list of stock items or request a quote from our world class custom fabrication team.



[www.PedestalCEO.com](http://www.PedestalCEO.com)

800-660-3072

## Associated Products



**PEDESTAL CEO**