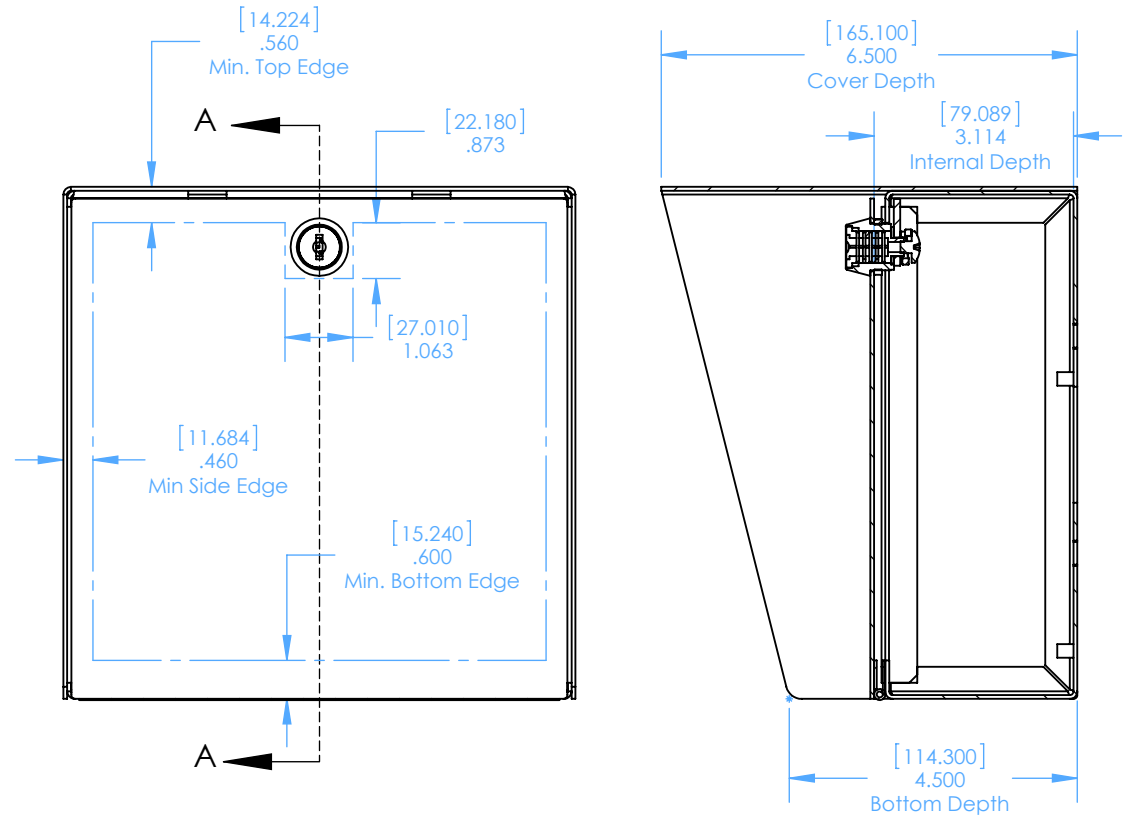


Housing Cutout Guidelines

Model No.	Max Cutout
MC-CS/SS-8-E	7.08" x 6.84"(7.08" x 5.967" for square)
MC-CS/SS-10-E	9.08" x 8.84"(9.08" x 7.967" for square)
MC-CS/SS-12-E	11.08" x 10.84"(11.08" x 9.967" for square)
MC-CS/SS-14-E	13.08" x 12.84"(13.08" x 11.967" for square)
MC-CS/SS-16-E	15.08" x 14.84"(15.08" x 13.967" for square)
MC-CS/SS-24-E	23.08" x 22.84"(23.08" x 21.967" for square)
LANDO-CS/SS-10X8-E	9.08" x 6.84"(9.08" x 5.967" for square)
LANDO-CS/SS-12X8-E	11.08" x 6.84"(11.08" x 5.967" for square)
LANDO-CS/SS-14X8-E	13.08" x 6.84"(13.08" x 5.967" for square)
LANDO-CS/SS-16X8-E	15.08" x 6.84"(15.08" x 5.967" for square)
LANDO-CS/SS-20X14-E	19.08" x 12.84"(19.08" x 11.967" for square)
PORTRA-CS/SS-8X10-E	7.08" x 8.84"(7.08" x 7.967" for square)
PORTRA-CS/SS-8X12-E	7.08" x 10.84"(7.08" x 9.967" for square)
PORTRA-CS/SS-8X14-E	7.08" x 12.84"(7.08" x 11.967" for square)
PORTRA-CS/SS-8X16-E	7.08" x 14.84"(7.08" x 13.967" for square)



Any of our housings max cutout area can be calculated from the above image.

Max Cutout Width = Housing Width - (Min Side Edge x 2)
 Max Cutout Height = Housing Height - (Min Top Edge + Min Bottom Edge)

An allowance should be made for the lock in all mockups.

SECTION A-A

Pedestal CEO, LLC
 561 Wilderness Drive
 Alpine, UT 84004

Phone: (800) 660-3072
 info@PedestalCEO.com

www.PedestalCEO.com

Document property of Pedestal CEO, LLC.

Created Thursday, April 10, 2014 8:51:09 AM by M.Smith